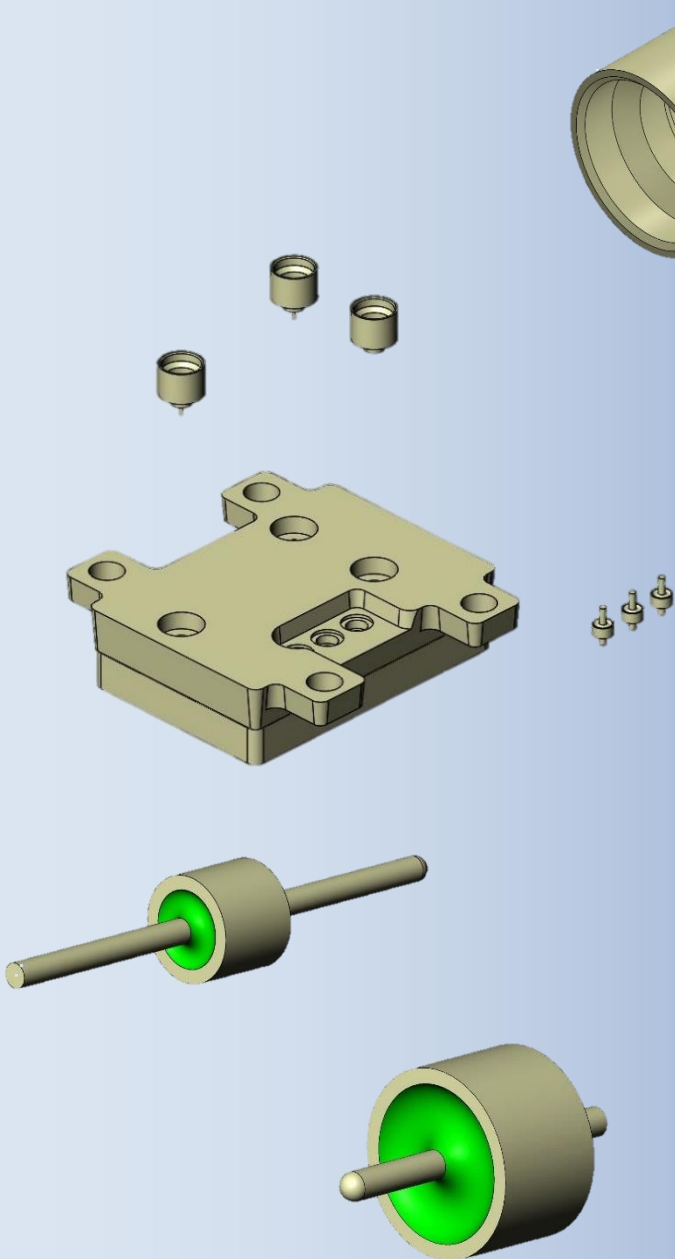


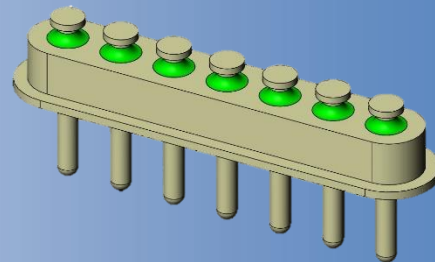
CPS Technologies

Sub-Miniature Push-on Connectors

CPS Technologies manufactures Sub-Miniature Push-on Connectors (SMP), the industry standard for quick and effective interconnects for semi-rigid and flexible cables.



- Manufactured to and inspected to JEDEC and MIL-STD-883, TM2009, (UOS).
- Conforms to DCSS 94007, DSCC 94008, MIL-STD-348 using certified Nadcap platers.
- Design flexibility to meet customer needs.
- Can be installed without threads or wrenches.
- Turnkey packages with SMP and F/DC terminals manufactured In-house.
- Standard configurations available in four weeks



111 South Worcester St Norton, MA
02766

508-222-0614

sales@cpstechnologysolutions.com
www.cpstechnologysolutions.com





CPS Technologies Certified to ISO 9001:2015 Standard

CPS Technologies provides quality assurance testing to MIL-STD 883 and MIL-STD 202; CPS is compliant to DFARS clause 252.225-7014 ALT.1, RoHS and REACH.

CPS Technologies Plating Recourses

- Electroless Nickel per MIL-C-26074, ASTM B-733 and AMS 2404
- Electrolytic Nickel per QQ-N-290 and ASTM B-689
- Gold per ASTM B-488 and MIL-DTL-45204
- Chromate per MIL-DTL-5541

CPS Technologies Test Capabilities

- Air to Air temperature cycle/shock per MIL-STD-883, method 1010
- Steam age/solderability testing per MIL-STD-883, method 2003
- Liquid to Liquid per MIL-STD-883, method 1011
- Lead Fatigue per MIL-STD-883, method 2004
- Hermeticity validation to 1×10^{-10} cc/sec of helium per MIL-STD-883, method 1014, condition A4
- Insulation resistance to 10 G Ω at 500 VDC per MIL-STD-883, method 1003
- Salt spray per MIL-STD-883, method 1009
- Compliance to JEDEC and MIL-STD-883